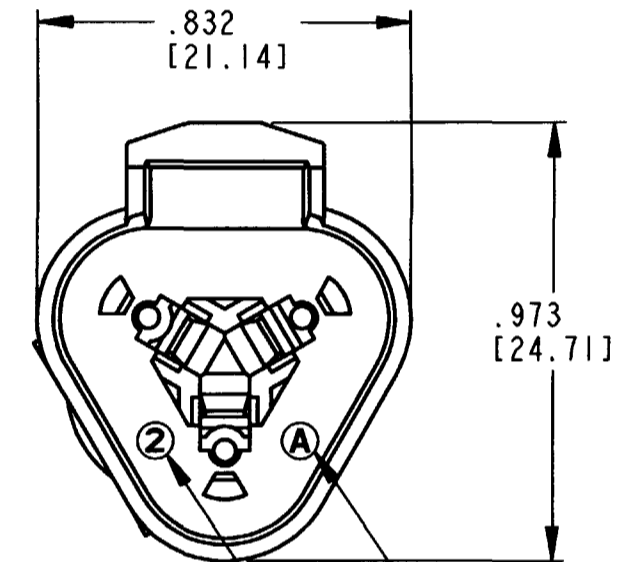
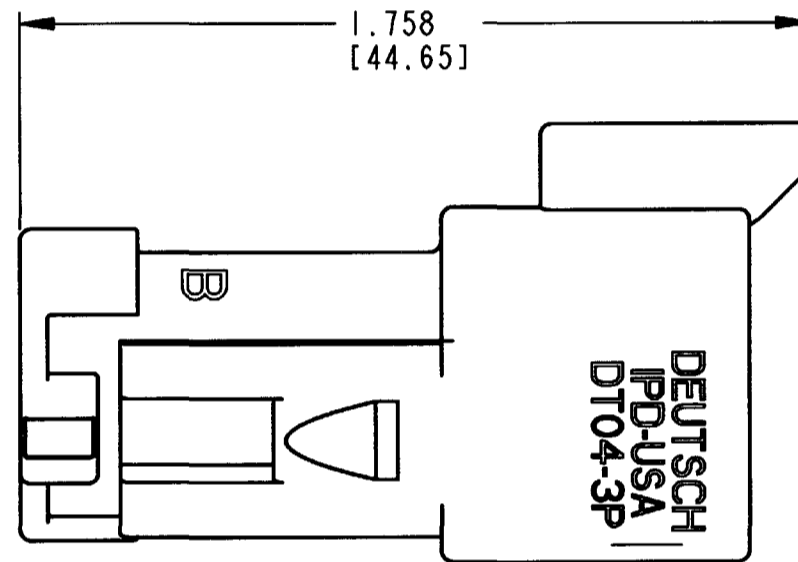
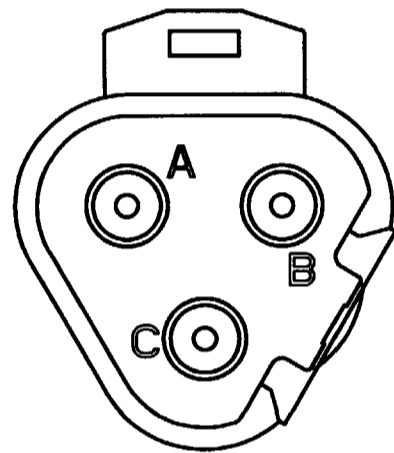


REV
B DT04-3P-E005

REVISIONS			
SYM	DESCRIPTION	DATE	APPROVED
NC	NEW RELEASE PER E.O. A13781	3/19/92	JA
A	REVISED PER E.O. P16824	8/30/00	R.D.R.
B	REVISED PER E.O. P18184	6-6-03	RDR



DATE CODE: YEAR IS REPRESENTED BY LAST NUMERICAL DIGIT (EX: 0=2000).

DATE CODE: SEQUENTIAL ALPHA CHARACTERS REPRESENT MONTH (EX: A=JANUARY).

CONTACT SIZE	MIN. INSUL. O.D.	MAX. INSUL. O.D.	WIRE RANGE [mm ²] Δ
16	.088 [2.24]	.145 [3.70]	14-20 AWG [2.0-0.5]

- 6. MATERIAL: SHELL: PLASTIC; GROMMET: RUBBER
- 5. THIS RECEPTACLE MATES WITH THE DT06-3S-**** PLUG (****=ALL MODIFICATIONS). CONSULT FACTORY FOR MODIFICATIONS.
- 4. THIS CONNECTOR CAN PASS THRU A ONE INCH HOLE.
- 3. FOR CONTACTS AND WIRE PERFORMANCE AND APPLICATION CHARACTERISTICS SEE ENVELOPE DRAWING 0425-015-0000 AND 0425-017-0000.
- 2. DIMENSIONS ARE $\pm .025$ [0.63] UNLESS OTHERWISE SPECIFIED.

NOTES: 1. DIMENSIONS ARE IN INCHES [MILLIMETERS].

SIGNATURE & DATE	
DR	T. YOHANNES 8/22/00
CHK	<i>[Signature]</i> 6/3/03
PE	<i>[Signature]</i> 6/3/03
APPD	<i>[Signature]</i> 6-5-03
SCALE	NONE
WT	—

3 WAY RECEPTACLE
-E005 MOD.
COLOR: BLACK
D.T. SERIES

ENVELOPE

CP	MATL. CODE
The Deutsch Company DEUTSCH I.P.D. 3850 INDUSTRIAL AVE. HEMET, CALIF. 92545	
B	DT04-3P-E005
DWG SIZE	CODE 11139 SHEET OF